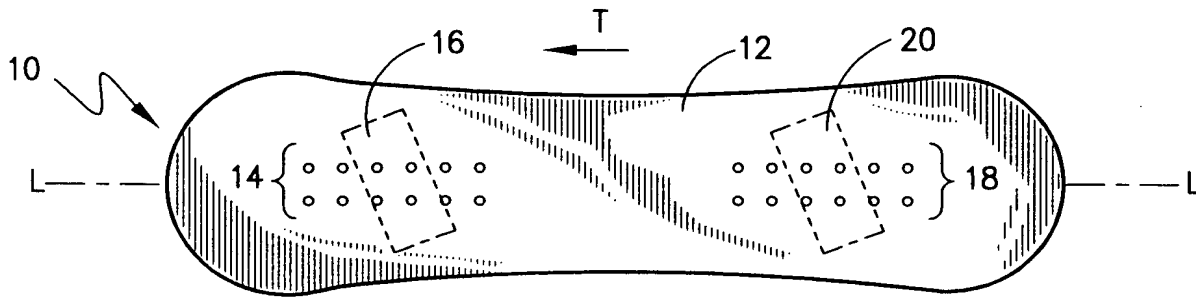


SNOWBOARD APPARATUS INCLUDING ROTATABLE  
BINDING AND METHOD INCORPORATING THE SAME

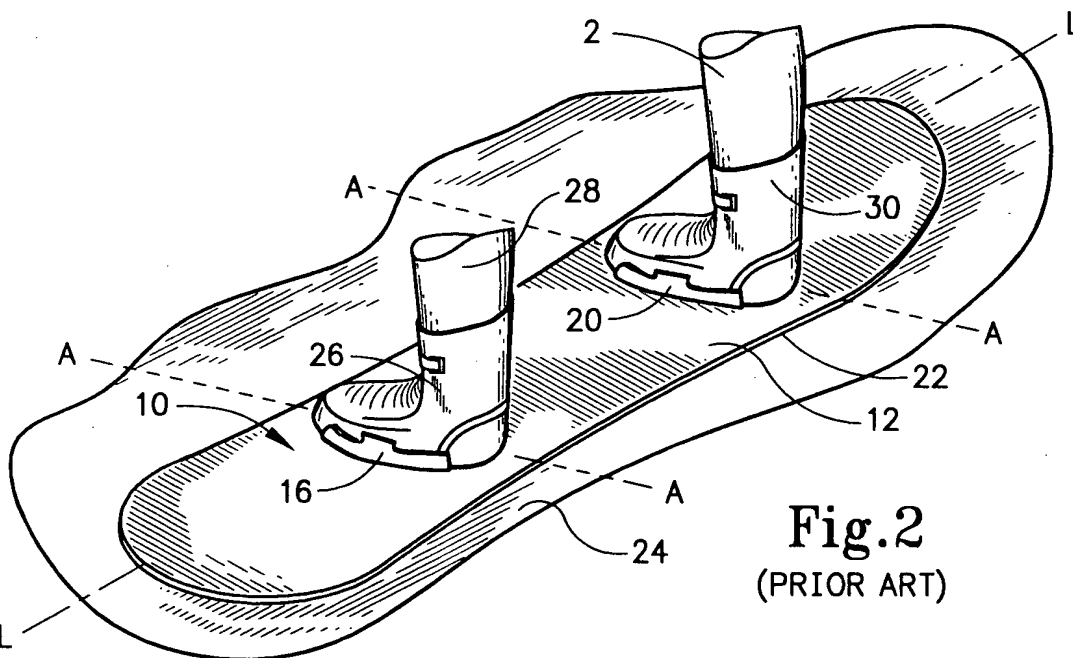
Applicant: Richard W. Pollmiller

Serial No.: 09/966,965

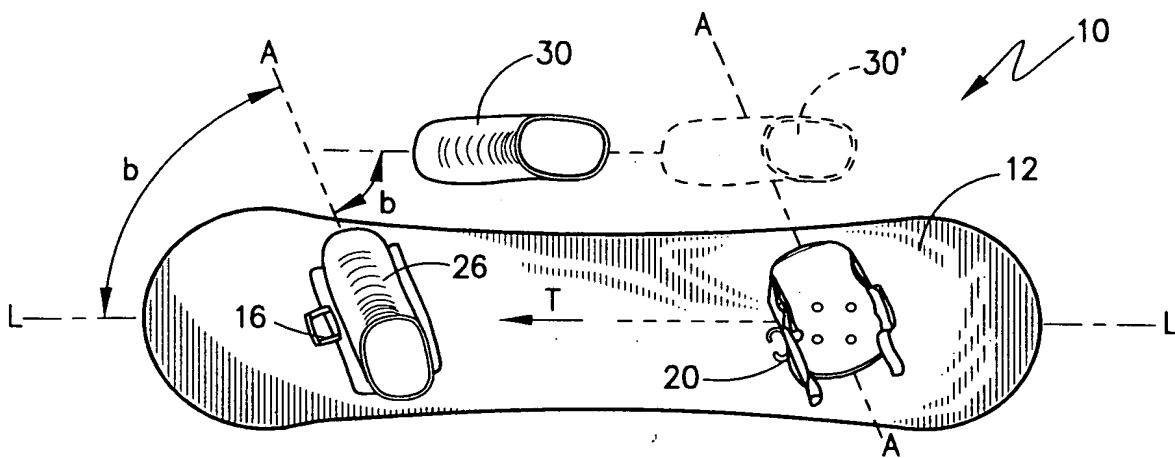
Docket No.: 1785



**Fig. 1**  
(PRIOR ART)



**Fig. 2**  
(PRIOR ART)



**Fig. 3**  
(PRIOR ART)

FIG. 1 5966965

SNOWBOARD APPARATUS INCLUDING ROTATABLE  
BINDING AND METHOD INCORPORATING THE SAME

Applicant: Richard W. Pollmiller

Serial No.: 09/966,965

Docket No.: 1785

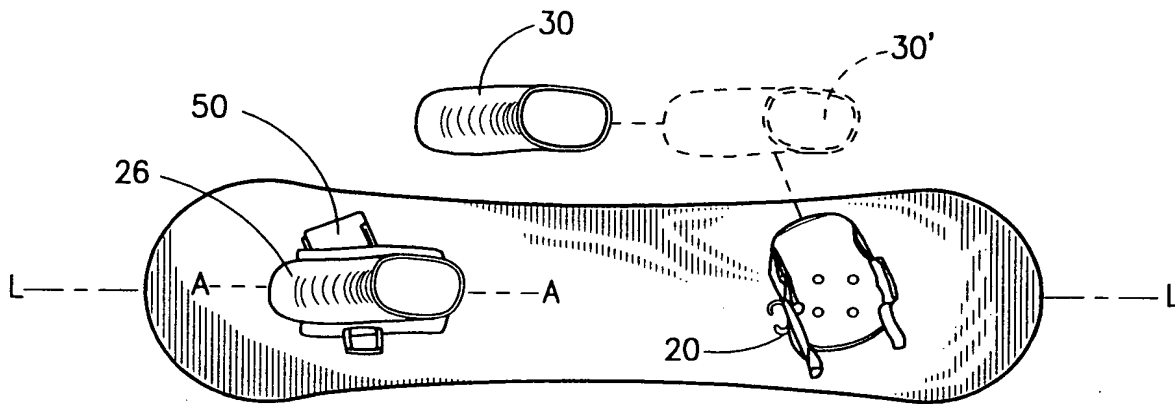


Fig. 4

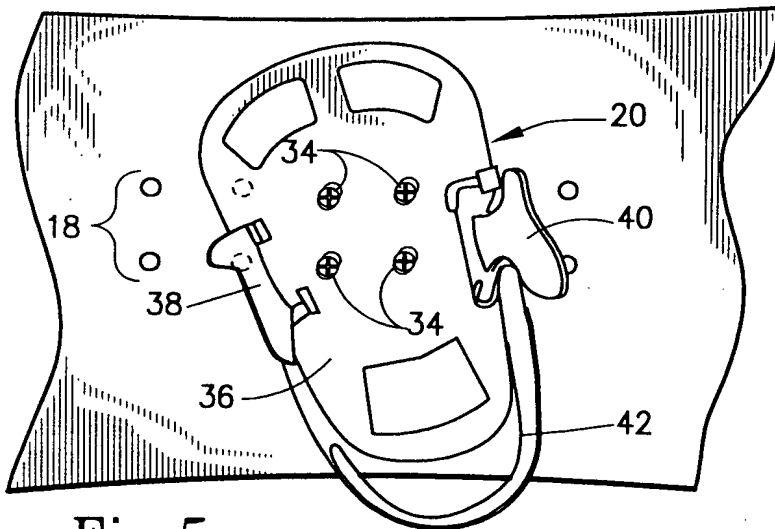


Fig. 5  
(PRIOR ART)

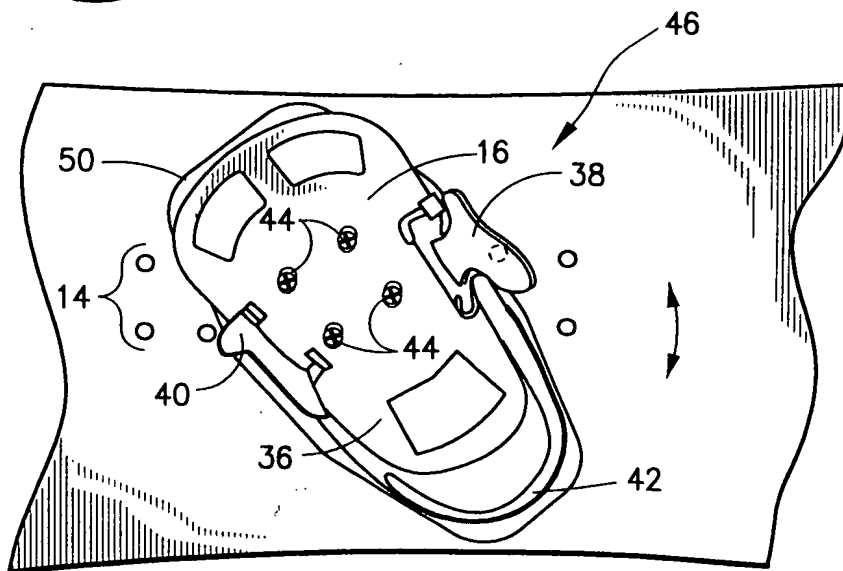


Fig. 6

FOR PUBLICATION

SNOWBOARD APPARATUS INCLUDING ROTATABLE  
BINDING AND METHOD INCORPORATING THE SAME

Applicant: Richard W. Pollmiller

Serial No.: 09/966,965

Docket No.: 1785

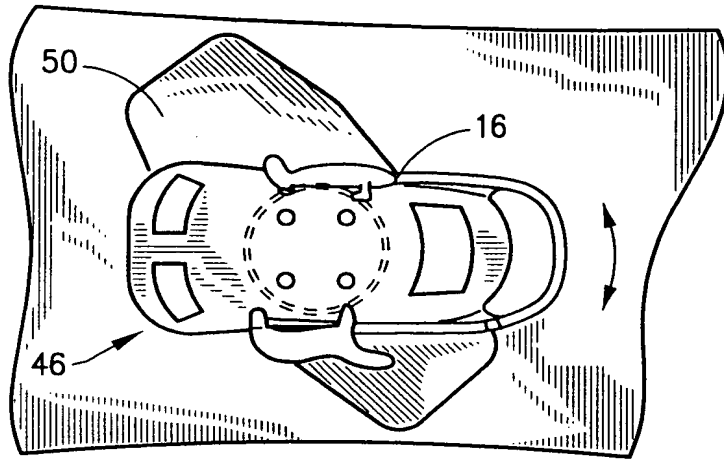


Fig. 7

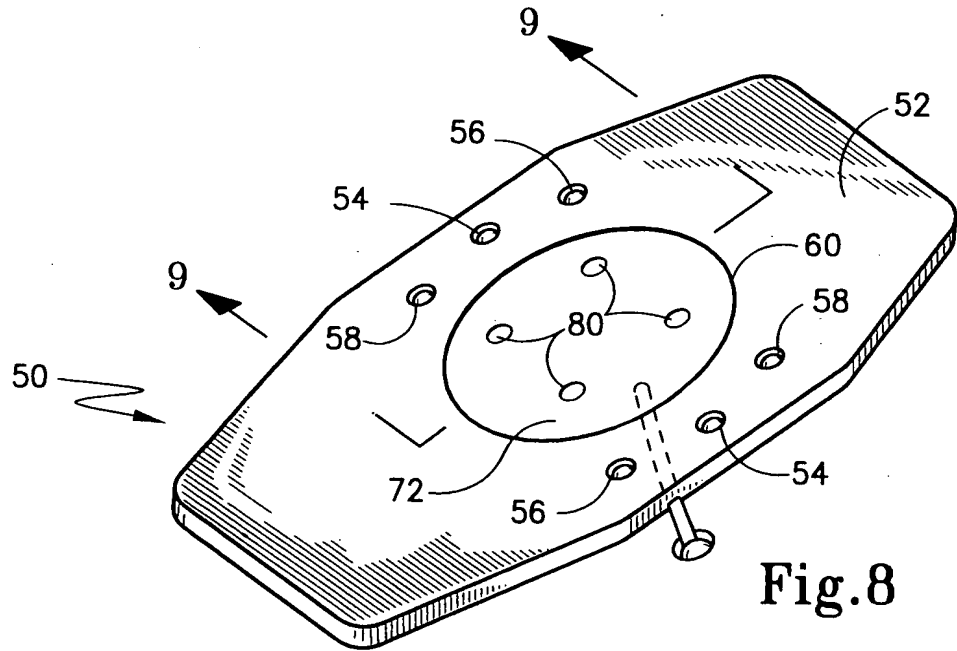


Fig. 8

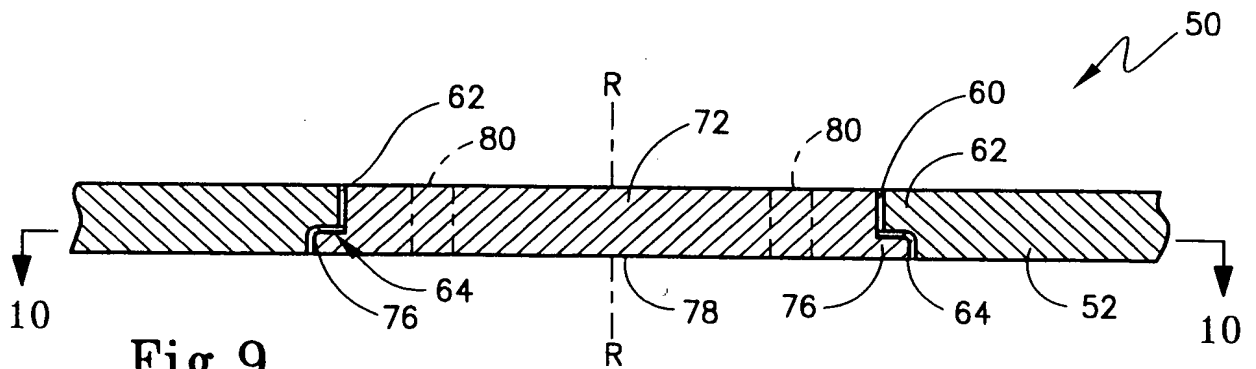


Fig. 9

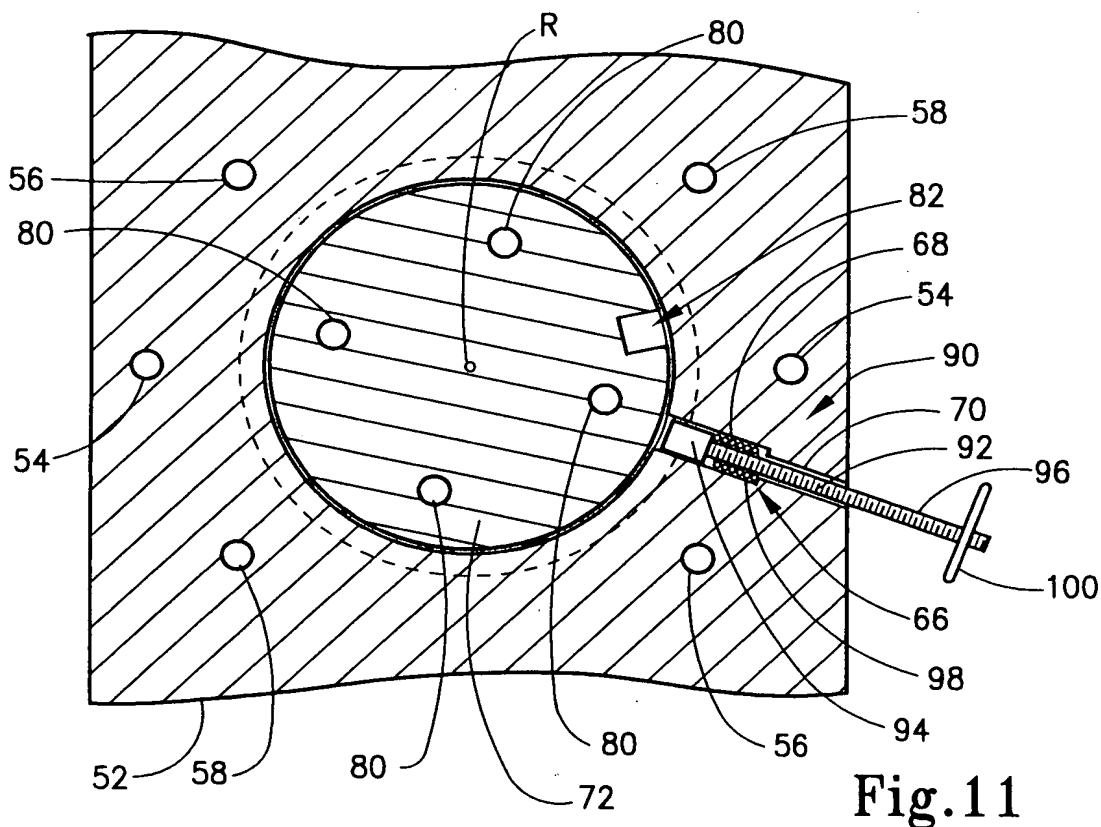
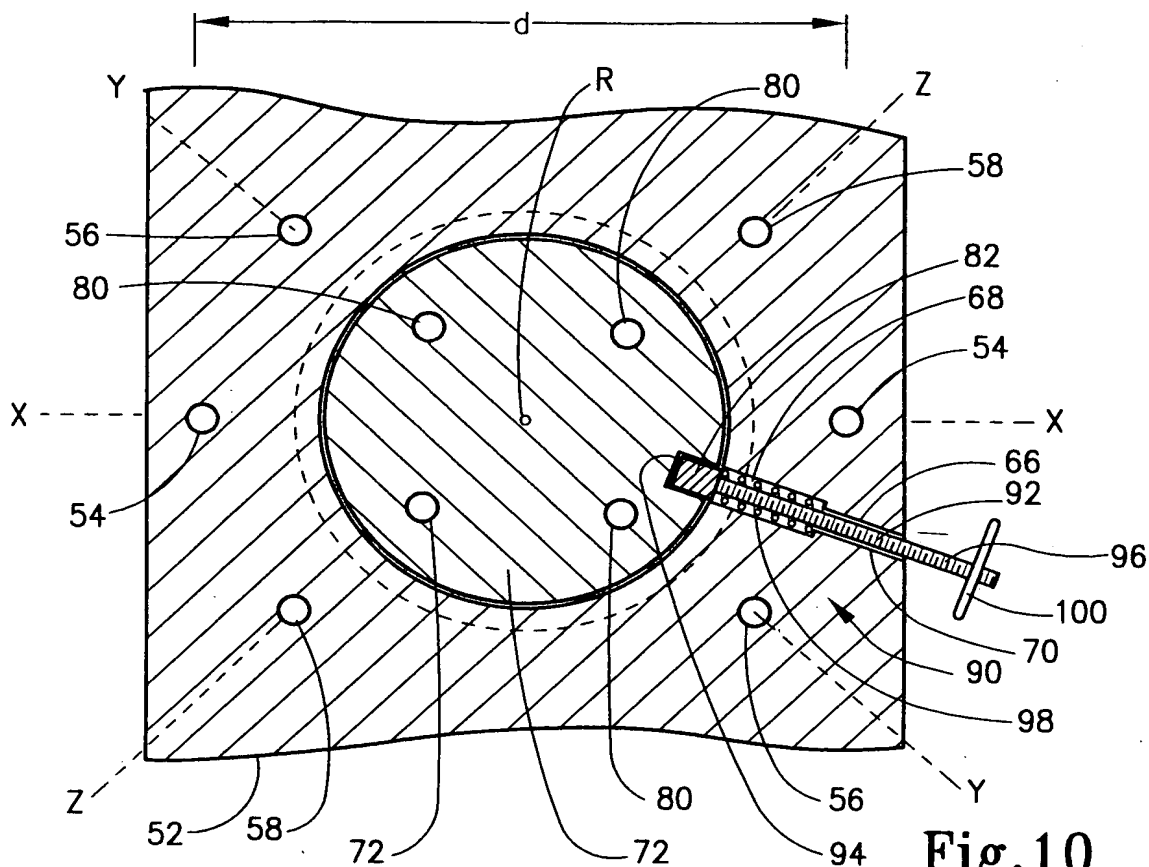
FOR "596960"

SNOWBOARD APPARATUS INCLUDING ROTATABLE  
BINDING AND METHOD INCORPORATING THE SAME

Applicant: Richard W. Pollmiller

Serial No.: 09/966,965

Docket No.: 1785



FOR PAGES 59-60

SNOWBOARD APPARATUS INCLUDING ROTATABLE  
BINDING AND METHOD INCORPORATING THE SAME

Applicant: Richard W. Pollmiller

Serial No.: 09/966,965

Docket No.: 1785

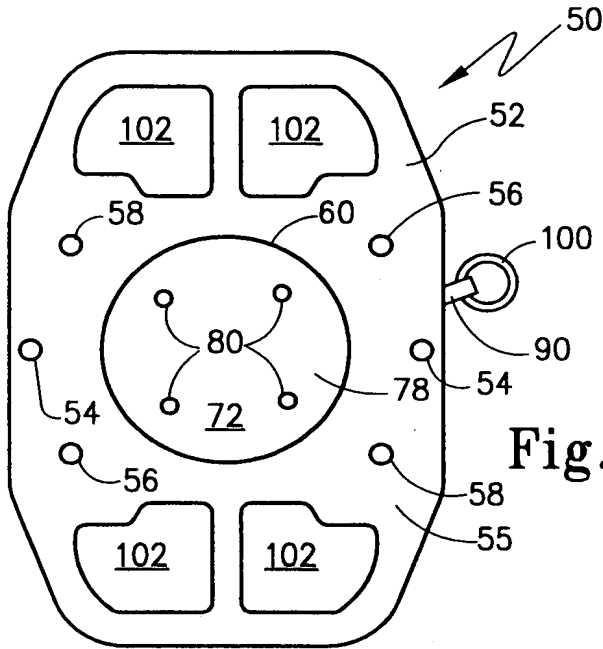


Fig. 12

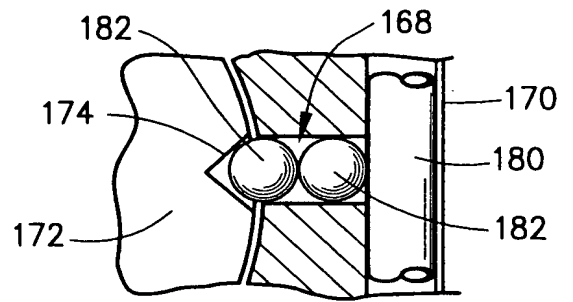


Fig. 14

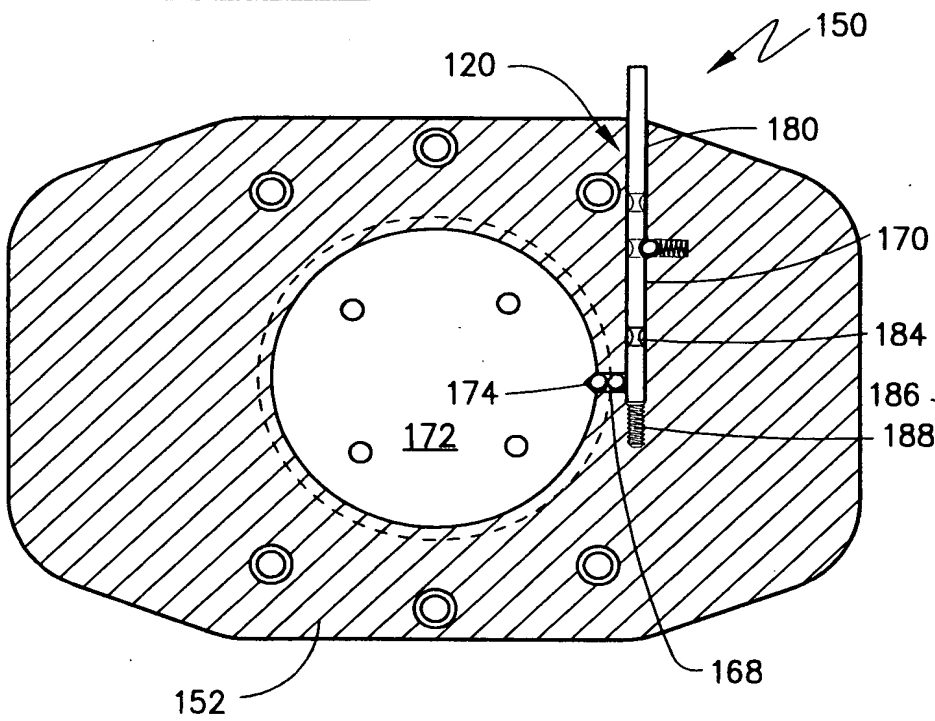


Fig. 13

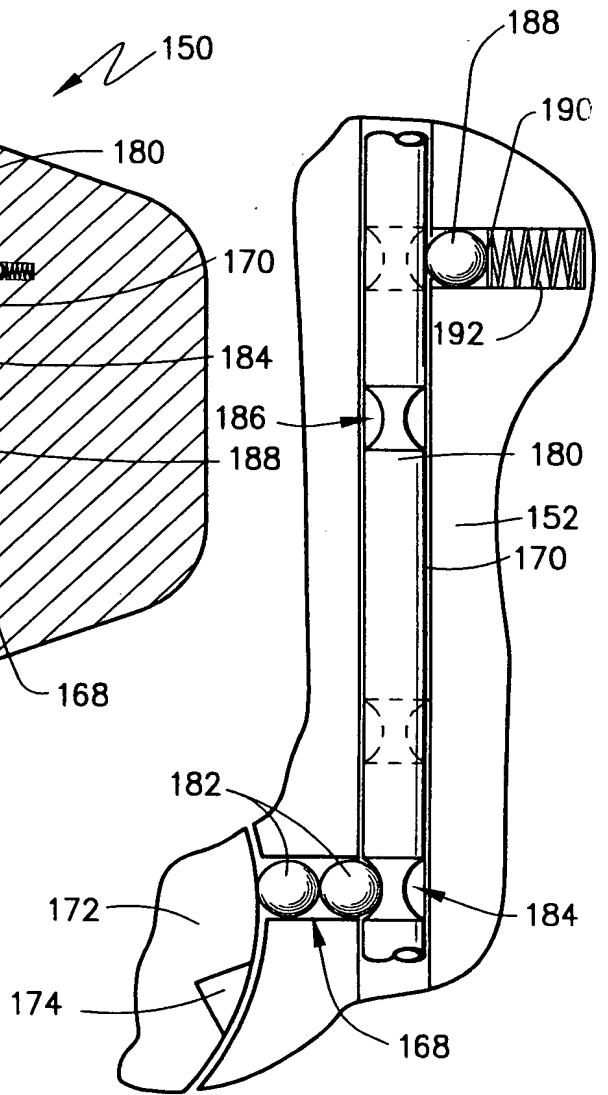


Fig. 15

FORGET 5969660